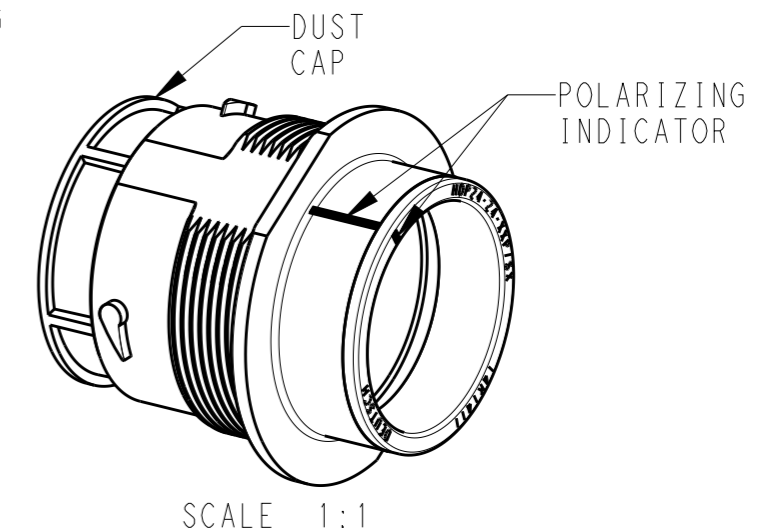
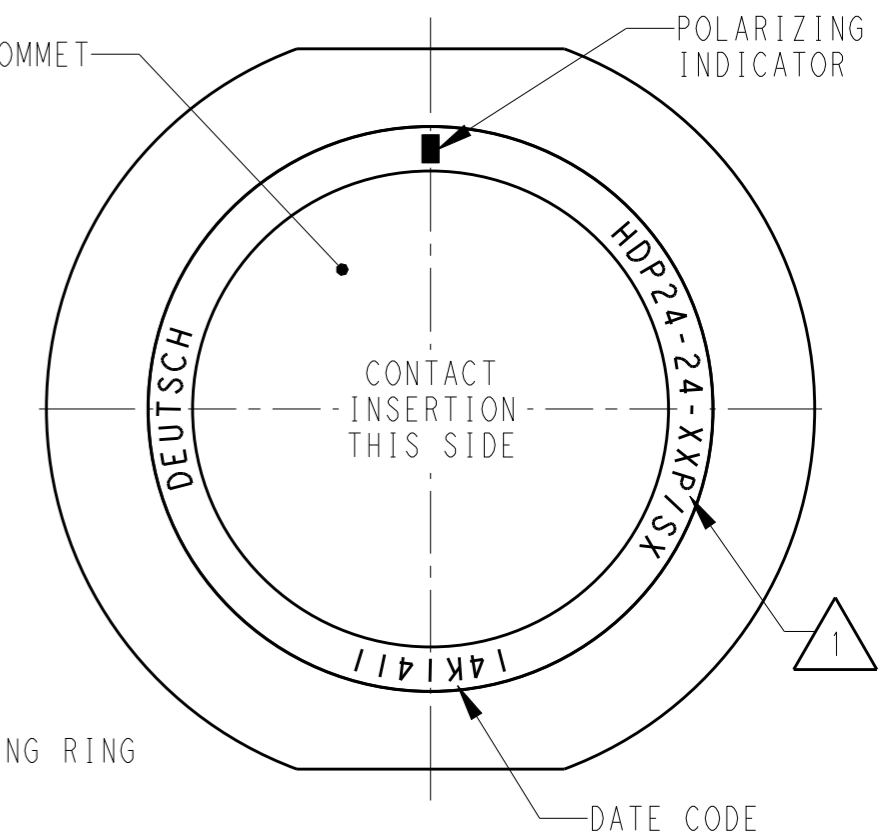
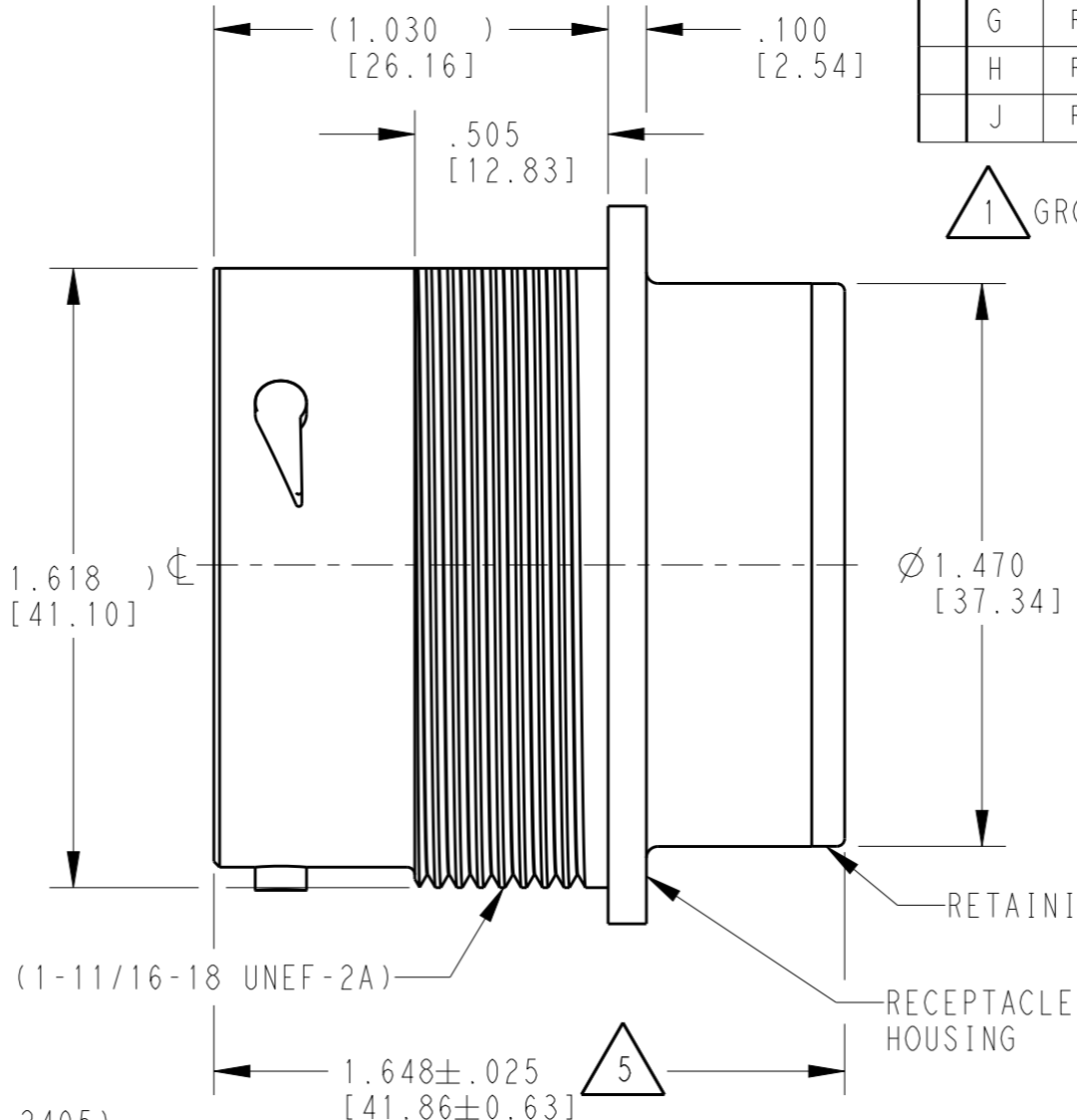
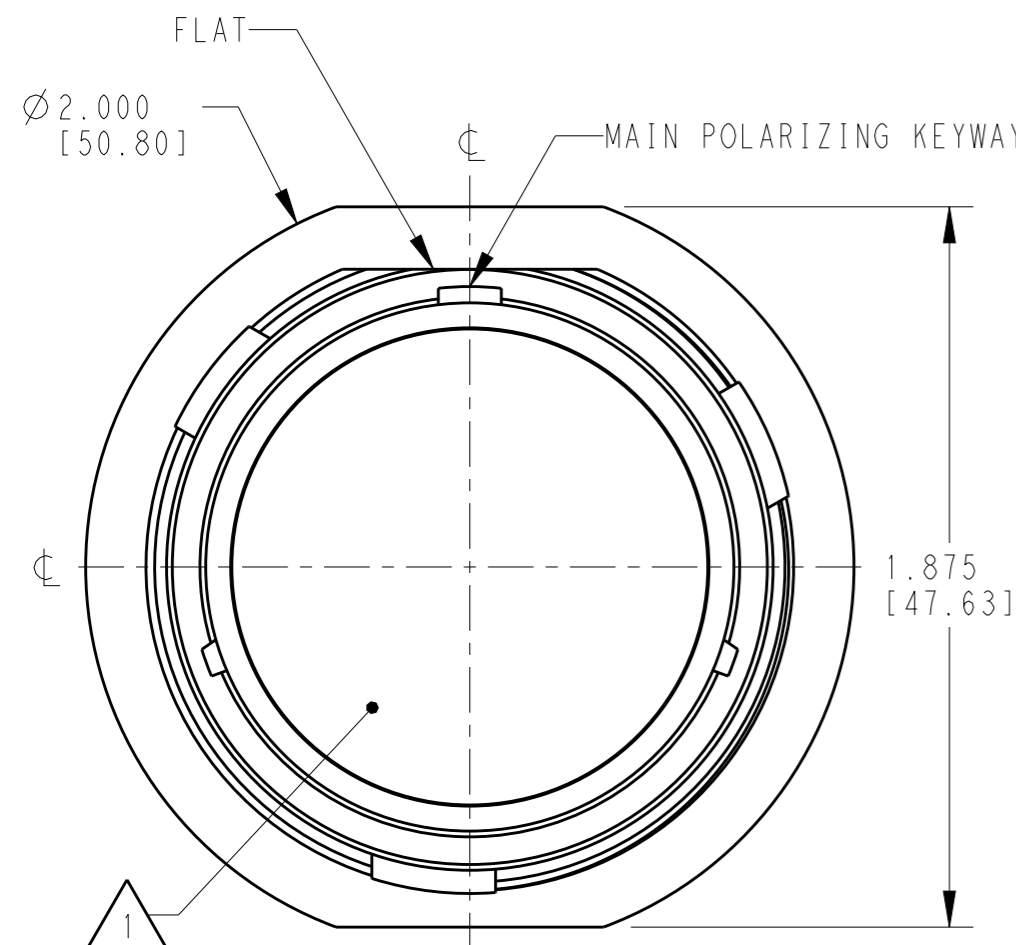


P	LTR	DESCRIPTION	DATE	DWN	APVD
F		REVISED PER E.O. P18119	14APR2003	AR	RDR
G		REVISED PER E.O. P18449	04FEB2004	XS	RDR
H		REVISED PER E.O. P21391	15JUN2012	AM	RDR
J		REVISED PER ECO-14-019072	23FEB2015	JA	DM



- 6. RECEPTACLE IS SUPPLIED WITH DUST CAP (2415-001-2405).
- 5. NOTED DIMENSION DOES NOT INCLUDE GROMMET PROTRUSION.
- 4. MATERIAL: RECEPTACLE HOUSING: PA66 GF10 (BLACK)
 RETAINER RING: PA66 GF10 (GREEN, GRAY, BLUE)
 GROMMET: SILICONE (ORANGE-RED)
- 3. SEE 0425-021-0000 APPLICATION SPECIFICATION
 A. RECOMMENDED WIRE INSULATION RANGE
 B. CONTACT REMOVAL TOOLS
 C. RECOMMENDED MOUNTING HOLE & PANEL THICKNESS
 D. MOUNTING HARDWARE & MOUNTING TORQUE.
- 2. THIS RECEPTACLE MATES WITH HDP26-24-XXP/SX-XXXX PLUG
 X = SEAL TYPE (N,T,E)
 XX = INSERT ARRANGEMENT
 XXXX = MODIFICATION
- 1. SEE CUSTOMER DRAWING, 0425-014-2400 FOR AVAILABLE INSERT ARRANGEMENTS AND PART NUMBERS.

NOTES:

THIS DRAWING IS A CONTROLLED DOCUMENT.		DWN	03MAR2000	TE TE Connectivity
		STEVE BEARD		
		CHK	04FEB2004	
		JUNE LIM		
DIMENSIONS: INCHES [mm]		APVD	16JAN2004	NAME RECEPTACLE, THREADED SIZE 24 HDP SERIES
TOLERANCES UNLESS OTHERWISE SPECIFIED:		STEVE BEARD		
0 PLC ±		PRODUCT SPEC	0425-021-0000	SIZE
1 PLC ±		APPLICATION SPEC	3	CAGE CODE
2 PLC ±				DRAWING NO
3 PLC ±.015 [0.38]				RESTRICTED TO
4 PLC ±				A3 4AFU8
ANGLES ±				© HDP24-24-XXP/SX
FINISH N/A				SCALE
MATERIAL		WEIGHT		SHEET 1 OF 1
4		Customer Drawing		REV J